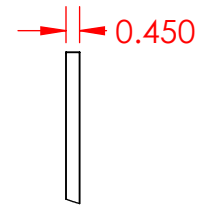


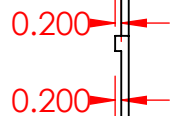
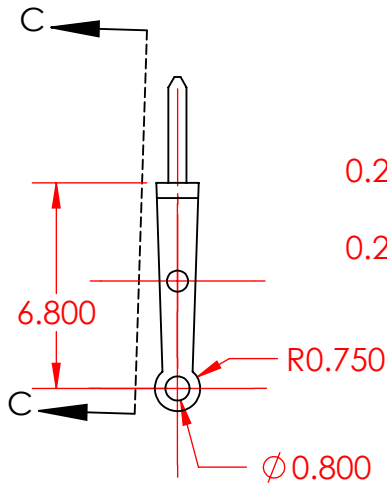
80



DETAIL A
SCALE 4 : 1

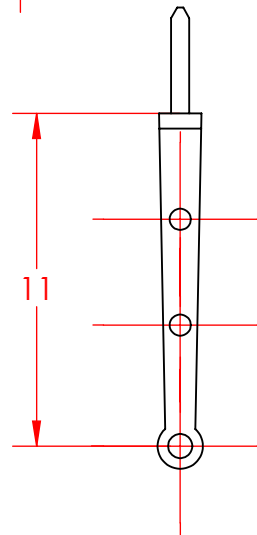
- Gun Port Hinges for 1/72 scale ships**
- 122 long hinges
 - 108 short hinges

150



VIEW C-C
SCALE 4 : 1

0.250



0.200

0.200



0.250

Modeller's Workshop

MATERIEL: **Brass Photo-etch**

POIDS:

DESSINEE PAR:

NOM FICHIER:

UNITES: **MM**

Copyright Modeller's Workshop, Montreal, 2017

PROJET: **Gun-port-ENMR-2-fret**

FORMAT: **A**

ECH: **1:1**

A-M-J: **Thursday, December 04, 2014 3:29:57 PM**